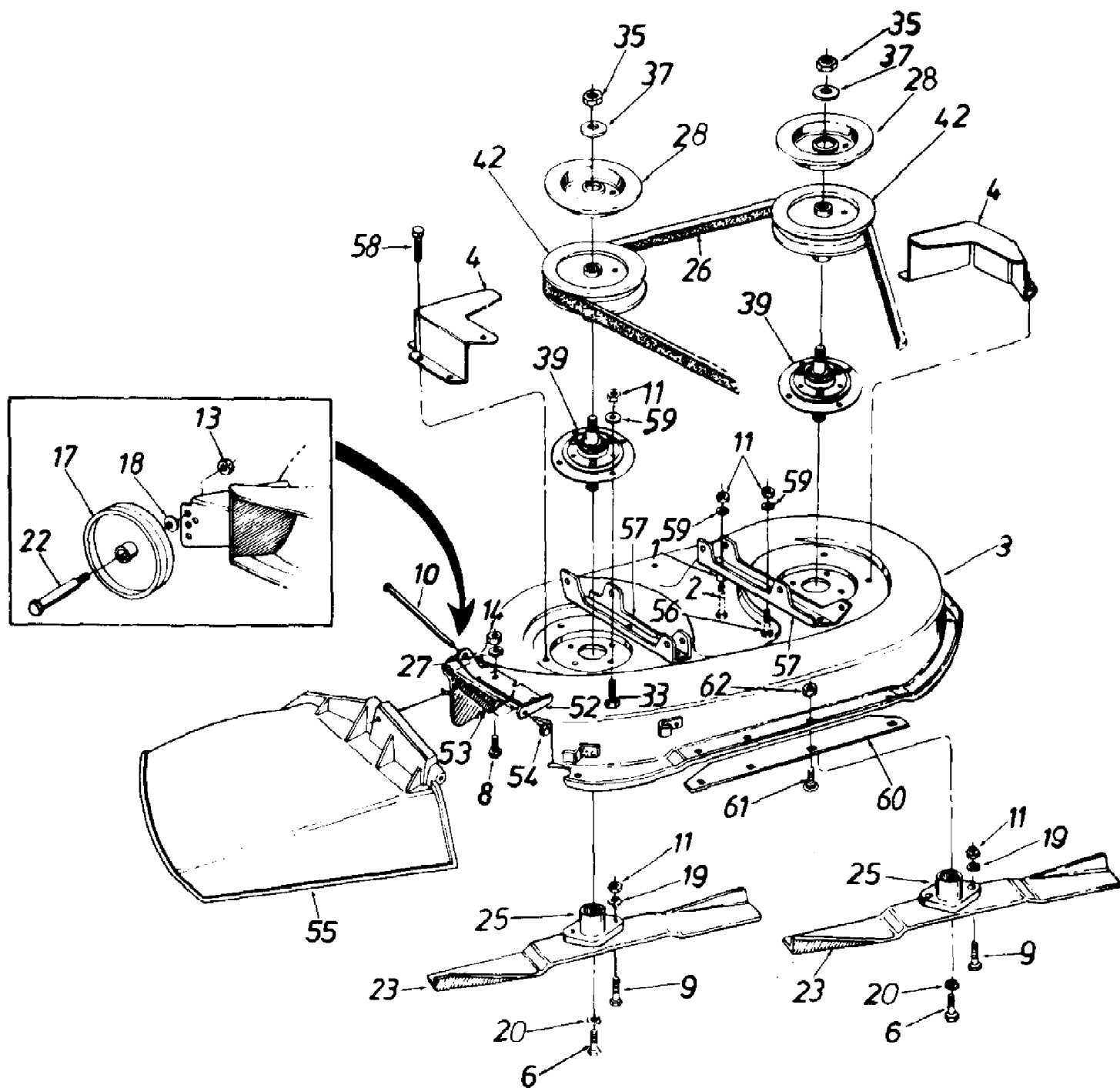


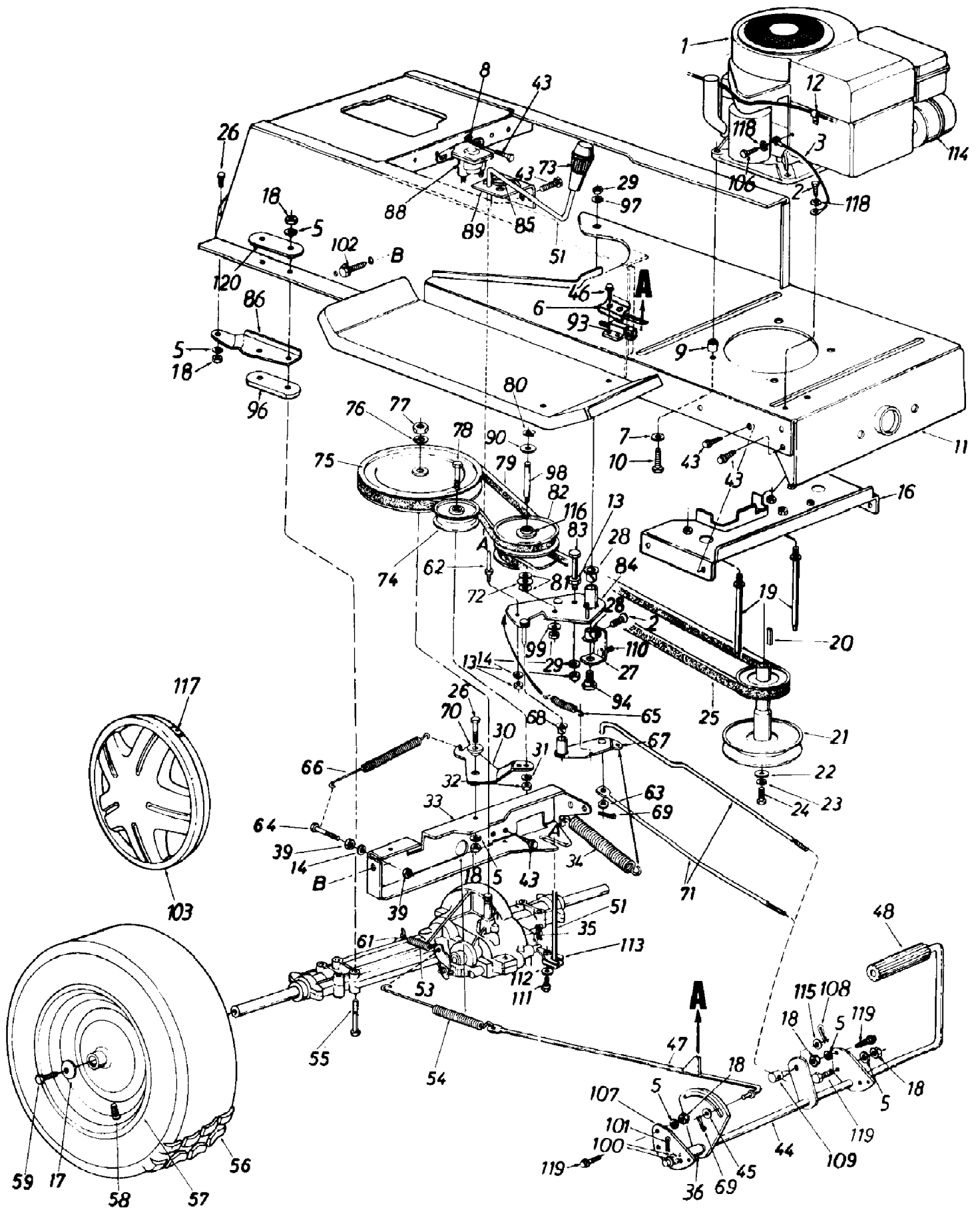
133K676F190 LT-12 (1993)
38" Mowing Deck



133K676F190 LT-12 (1993)
38" Mowing Deck

Page 2 of 27

| Ref # | Part Number | Qty | S/P/F | Description |
|-------|-------------|-----|-------|--|
| 1 | 750-0776 | 1 | S | Spacer .33" I.D. x .88" |
| 2 | 710-0672 | 1 | /P | Hex Bolt 5/16-24 x 1.25" Lg. |
| 3 | 17503B | 1 | S | 38" Deck Ass'y. w/Deck Wheels |
| | 801-7503 | 1 | S | 38" Deck Ass'y. Comp. w/Deck Wheels (For Service Only) |
| 4 | 17665 | 1 | S | Belt Guard Deck |
| 6 | 710-0152 | 1 | S | Hex Bolt 3/8-24 x 1.0" Lg. |
| 8 | 710-0258 | 1 | S | Hex Bolt 1/4-20 x .62" |
| 9 | 710-0888 | 1 | /P | Hex Bolt Special 5/16-24 x 1.0" |
| 10 | 711-0792 | 1 | S | Hinge Pin |
| 11 | 712-0123 | 1 | /P/F | Hex Nut 5/16-24 Thd. |
| 13 | 712-0181 | 1 | S | Hex Top L-Nut 3/8-16 Thd. |
| 14 | 712-0287 | 1 | S/F | Hex Nut 1/4-20 Thd. |
| 17 | 734-0973 | 1 | /P | Deck Wheel - 5" |
| 18 | 736-0105 | 1 | /P | Bell-Wash. .40" I.D. x .88" O.D. |
| 19 | 736-0119 | 1 | S/F | L-Wash. 5/16" I.D. |
| 20 | 736-0217 | 1 | S | L-Wash. 3/8" I.D. - H.D. |
| 22 | 738-0373 | 1 | S | Shld. Bolt .498" Dia. x 1.53" |
| 23 | 742-0473A | 1 | S | High-Lift Blade |
| 25 | 748-0300 | 1 | | Blade Adapter |
| 26 | 754-0329A | 1 | S | V-Belt |
| 27 | 736-0270 | 1 | /P | Bell-Wash. 1/4" I.D. |
| 28 | 09322 | 1 | | Brake Disc |
| 33 | 710-0157 | 1 | /P | Hex Bolt 5/16-24 x .75" Lg. |
| 35 | 712-0318 | 1 | /P | Hex Jam Nut 5/8-18 Thd. |
| 37 | 736-0158 | 1 | S/F | L-Wash. 5/8" I.D. |
| 39 | 717-0906 | 1 | S | Blade Spindle Ass'y. Comp. |
| 42 | 756-0486 | 1 | | 5" Dia. Pulley |
| 52 | 703-1693 | 1 | S | Hinge Mtg. Brkt. |
| 53 | 732-0602 | 1 | S | Torsion Spring |
| 54 | 726-0106 | 1 | S | Push Nut |
| 55 | 731-1032 | 1 | S | Chute Ass'y. Comp. (Incl. Ref. 10, 52, 53, 54,55) |
| 56 | 710-0157 | 1 | /P | Hex Bolt 5/16-24 x .75" Lg. |
| 57 | 17493A | 1 | S | Deck Hanger Channel |
| 58 | 710-0599 | 1 | /P | Hex Wash. Hd. TT-Tap Scr. 1/4-20 x .5" Lg. |
| 59 | 736-0242 | 1 | /P | Bell-Wash. .34" I.D. x .88" |
| 60 | 17863 | 1 | S | Deck Skirt Ext. |
| 61 | 710-0167 | 1 | /P | Carr. Bolt 1/4-20 x .5" Lg. |
| 62 | 712-0271 | 1 | /P | Hex Sems Nut 1/4-20 Thd. |



133K676F190 LT-12 (1993)
Engine, Wheel And Lower Frame Assembly

Page 4 of 27

| Ref # | Part Number | Qty | S/P/F | Description |
|-------|-------------|-----|-------|--|
| 1 | | 1 | | Engine |
| 2 | 710-0726 | 1 | /P | Hex Wash. AB-Tap Scr. 5/16" x .75" |
| 3 | 725-0980 | 1 | | Electric Ground Wire |
| 5 | 736-0119 | 1 | S/F | L-Wash. 5/16" I.D. |
| 6 | 17962 | 1 | | Switch Plate |
| 7 | 736-0247 | 1 | /P | FI-Wash. .406" I.D. x 1.25" |
| 8 | 736-0222 | 1 | S | Ext. L-Wash. 1/4" I.D. |
| 9 | 750-0777 | 1 | | Spacer |
| 10 | 710-1007 | 1 | /P | Hex L-Wash. Tap Scr. 3/8-16 x 1.5" Lg. |
| 11 | 17619B | 1 | S | Lower Frame Ass'y. Code: N Notates a new part (not previously existing) |
| 12 | 726-0235 | 1 | | Speed Clip |
| 13 | 712-0287 | 1 | S/F | Hex Nut 1/4-20 Thd. |
| 14 | 736-0329 | 1 | S/F | L-Wash. 1/4" I.D. |
| 16 | 17893 | 1 | S | Belt Guard Brkt. Ass'y. |
| 17 | 736-0242 | 1 | /P | Bell-Wash. .345" I.D. x .88" |
| 18 | 712-0267 | 1 | S/F | Hex Nut 5/16-18 Thd. |
| 19 | 711-0986 | 1 | S | Belt Guard Pin 3.6" Lg. |
| 20 | 714-0114 | 1 | S | Sq. Key 1/4" x 1/4" x 2.00" |
| 21 | 756-0488 | 1 | S | Engine Pulley |
| 22 | 736-0322 | 1 | /P | FI-Wash. 7/16" I.D. x 1.25" |
| 23 | 736-0171 | 1 | S/F | L-Wash. 7/16" I.D. |
| 24 | 710-0757 | 1 | /P | Hex Bolt 7/16-20 x 1.50" Lg. |
| 25 | 754-0280 | 1 | S | Variable-Speed Belt |
| 26 | 710-0118 | 1 | S | Hex Bolt 5/16-18 x .75" Lg. |
| 27 | 17963 | 1 | | Bearing Shaft Bracket Ass'y. |
| 28 | 741-0591 | 1 | S | Flanged Nyliner Brg. .63" I.D. x .6" Lg. |
| 29 | 712-0241 | 1 | /P/F | Hex Nut 3/8-24 Thd. |
| 30 | 17643 | 1 | S | Idler Bracket |
| 31 | 736-0169 | 1 | S/F | L-Wash. 3/8" I.D. |
| 32 | 712-0241 | 1 | /P/F | Hex Nut 3/8-24 Thd. |
| 33 | 17629A | 1 | S | Transaxle Support Brkt. |
| 34 | 732-0556 | 1 | S | Ext. Spring .94" O.D. x 7.58" |
| 35 | 714-0149B | 1 | S | Internal Cotter Pin |
| 36 | 750-0802 | 1 | | Spacer .63" I.D. |
| 39 | 712-0138 | 1 | S | Hex Nut 1/4-28 Thd. |
| 43 | 710-0599 | 1 | /P | Hex Wash. Hd. S-Tap Scr. 1/4-20 x .50" Lg. |
| 44 | 17715B | 1 | | Clutch/Brake Pedal Ass'y. Code: N Notates a new part (not previously existing) |
| 45 | 736-0264 | 1 | S | FI-Wash. .344" I.D. x .62" |
| 46 | 710-0351 | 1 | /P | Truss Mach. B-Tap Scr. #10 x .5" Lg. |
| 47 | 17686A | 1 | | Brake Rod Ass'y. |
| 48 | 735-0196 | 1 | S | Foot Pad |
| 51 | 17705 | 1 | /P | Shift Lever Ass'y. |
| 53 | 732-0264 | 1 | S | Ext. Spring .38" O.D. x 2.5" |
| 54 | 732-0413 | 1 | S | Ext. Spring 7.08" |
| 55 | 710-0189 | 1 | /P | Hex Bolt 5/16-18 x 3" Lg. |
| 56 | 734-1675 | 1 | | Wheel Ass'y. Comp. |
| | 734-1596 | 1 | | Tire Only |
| 57 | 734-0603A | 1 | S | Wheel Rim Only |
| 58 | 734-0255 | 1 | S | Air Valve (Service Only) |
| 59 | 710-0627 | 1 | | Hex Bolt 5/16-18 x .75" Lg. |

133K676F190 LT-12 (1993)
Engine, Wheel And Lower Frame Assembly

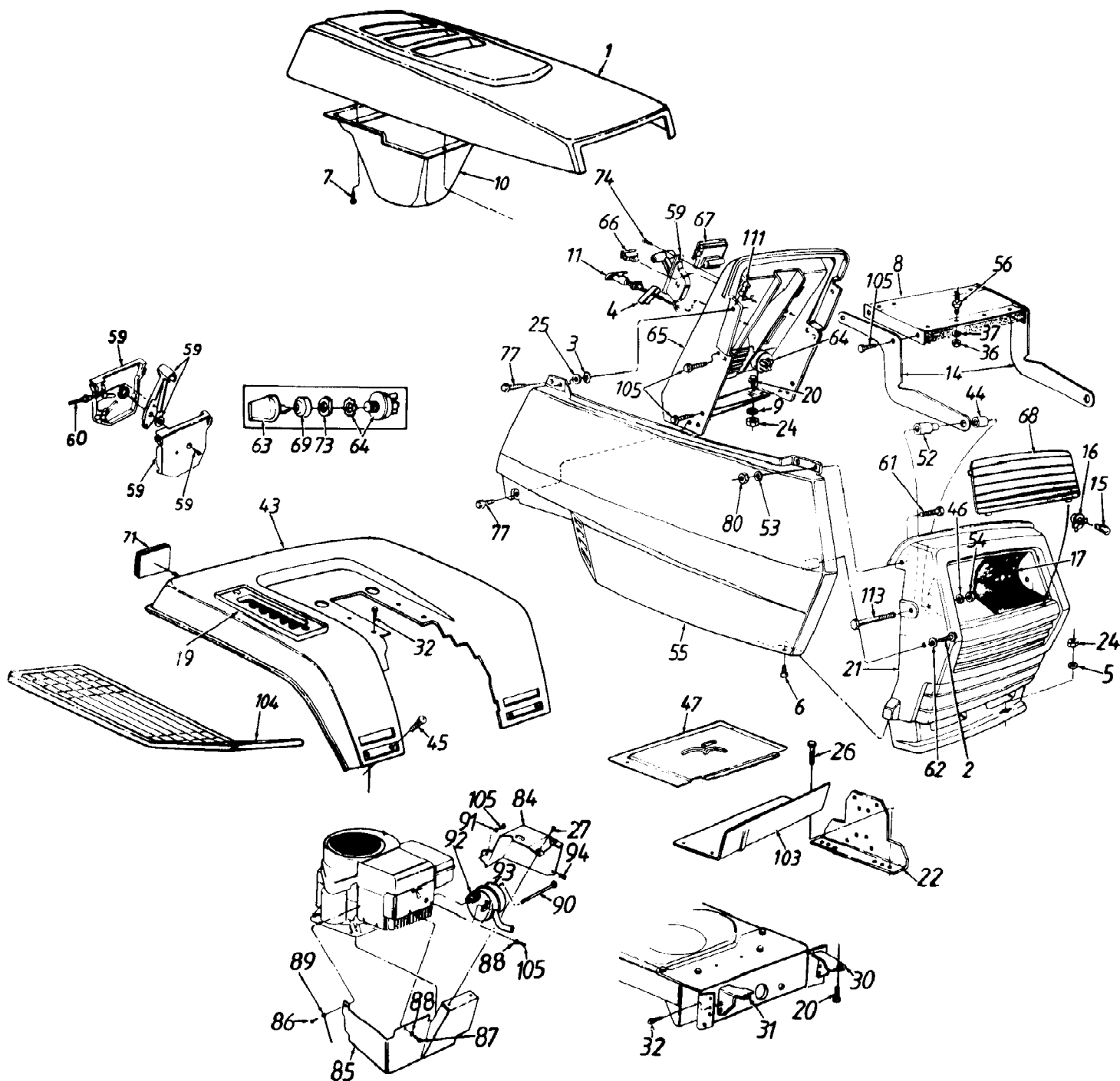
Page 5 of 27

| Ref # | Part Number | Qty | S/P/F | Description |
|-------|-------------|-----|-------|--|
| 61 | 732-0722 | 1 | S | Brake Return Spring Anchor |
| 62 | 711-0768 | 1 | S | Belt Guard Pin 1/4-20 Thd. |
| 63 | 736-0275 | 1 | S | Fl-Wash. .34" I.D. x .68" O.D. |
| 64 | 710-0428 | 1 | F | Hex Bolt 1/4-28 x 1.25" Lg. |
| 65 | 732-0568 | 1 | S | Ext. Spring |
| 66 | 732-0384 | 1 | S | Ext. Spring .62" O.D. x 6.12" |
| 67 | 16554A | 1 | S | Variable Speed Torque Brkt. Ass'y. |
| 68 | 741-0419 | 1 | | Flanged Bearing |
| 69 | 714-0111 | 1 | S/F | Cotter Pin 3/32" Dia. |
| 70 | 748-0234 | 1 | /P | Shoulder Spacer .27" Lg. |
| 71 | 747-0530A | 1 | /P | Speed Control Link |
| | 747-0512 | 1 | | Speed Control Link (30" Deck Only) |
| 72 | 741-0405 | 1 | S | Truss Bearing .56 Dia. x 1.25" |
| 73 | 720-0232 | 1 | S | Shift Knob |
| 74 | 756-0437 | 1 | S | Fl-Idler Pulley 3.25" |
| 75 | 656-0004 | 1 | | "V"-Pulley |
| 76 | 736-0427 | 1 | S | Bell-Wash. .56" I.D. x 1.125" |
| 77 | 712-3035 | 1 | /P | Hex Jam Nut 9/16-18 Thd. |
| 78 | 710-0539 | 1 | /P | Hex Bolt 3/8-24 x 1.75" Lg. |
| 79 | 754-0370 | 1 | S | Variable Speed Belt |
| 80 | 716-0114 | 1 | S | Snap Ring .56" Dia. |
| 81 | 736-0355 | 1 | /P | Fl-Wash. |
| 82 | 717-0800A | 1 | S | Variable Speed Pulley Ass'y. 5" O.D. |
| 83 | 710-1223 | 1 | S | Hex Bolt 1/4-20 x 3.5" Lg. |
| 84 | 16354B | 1 | S | Variable Speed Brkt. Ass'y. |
| 85 | 732-0525 | 1 | | Comp. Spring - Clip |
| 86 | 17668 | 1 | S | Axle Support Brkt. - R.H. |
| | 17669 | 1 | S | Axle Support Brkt. - L.M. (Not shown) |
| 88 | 725-1426 | 1 | S | Solenoid |
| 89 | 17630 | 1 | S | Shift Lever Bracket |
| 90 | 736-0414 | 1 | S | Teflon Washer .565" I.D. |
| 93 | 725-3169A | 1 | S | Safety Switch (Clutch) |
| 94 | 738-0755 | 1 | S | Shld. Bolt 3/8-24 x 3.12" Lg. |
| 96 | | 1 | | UNKNOWN |
| 97 | 736-0105 | 1 | /P | Bell-Wash. .38" I.D. x .88" |
| 98 | 738-0569 | 1 | S | Shaft .56" Dia. x 3.875" Lg. |
| 99 | 736-0331 | 1 | /P | Bell-Wash. .39" I.D. x 1.12" |
| 100 | 736-0256 | 1 | S | Fl-Wash. .64" I.D. x .94" |
| 101 | 714-0470 | 1 | S | Cotter Pin 1/8" Dia. x 1.25" |
| 102 | 710-0604 | 1 | S | Hex Wash. Hd. Scr. 5/16-18 x .62" Lg. |
| 103 | 734-1784 | 1 | S | Hub Cap Code: N Notates a new part (not previously existing) |
| 106 | 710-0323 | 1 | /P | Pan Hd. Mach. Scr. 5/16-18 x .75" Lg. |
| 107 | 17860 | 1 | S | Pedal Bracket |
| 108 | 714-0470 | 1 | S | Cotter Pin 1/8" Dia. x 1.25" |
| 109 | 711-0198 | 1 | S | Ferrule |
| 110 | 710-0376 | 1 | /P | Hex Bolt 5/16-18 x 1.0" Lg. - (Gr. 5) |
| 111 | 710-0195 | 1 | S | Hex Bolt 1/4-28 x .50" Lg. |
| 112 | 736-0270 | 1 | /P | Bell-Wash. .265" I.D. x .75" |
| 113 | 17707 | 1 | | Shift Lever Link Ass'y. |
| 114 | | 1 | | Muffler (Refer to Style Sheet) |
| 115 | 736-0140 | 1 | S | Fl-Wash. .385" I.D. x .62" |

133K676F190 LT-12 (1993)
Engine, Wheel And Lower Frame Assembly

Page 6 of 27

| Ref # | Part Number | Qty | S/P/F | Description |
|-------|-------------|----------|-------|-------------------------------------|
| 116 | 741-0404 | 2 Req'd. | S | Needle Brgs. |
| 117 | 727-0425A | 1 | S | Spring Clip (Used w/Ref. #103) |
| 118 | 736-0607 | 1 | /P | External L-Wash. 5/16" I.D. |
| 119 | 710-0650 | 1 | /P | Hex Wash.TT-Tap Scr. 5/16-18 x .75" |
| 120 | 17840 | 1 | S | Transaxle Mtg. Brkt. |



133K676F190 LT-12 (1993)
Hood And Rear Fender Assembly

Page 8 of 27

| Ref # | Part Number | Qty | S/P/F | Description |
|-------|-------------|-----|-------|--|
| 1 | 731-1429 | 1 | S | Hood Code: N Notates a new part (not previously existing) |
| 2 | 710-0896 | 1 | /P | Hex Wash. B-Tap Scr. 1/4 x .62" Lg. |
| 3 | 726-0233 | 1 | /P | Bolt Retainer 1/4" I.D. |
| 4 | 17782 | 1 | | Retainer Clip |
| 5 | 736-3078 | 1 | /P | FI-Wash. .34" I.D. x 1" |
| 6 | 710-0351 | 1 | /P | Truss Mach. B-Tap Scr. #10 x .5" Lg. |
| 7 | 710-0200 | 1 | | Hex Wash. Hd. AB-Tap Scr. #8 x .5" Lg. |
| 8 | 16903A | 1 | S | Hood Plate |
| 9 | | 1 | | UNKNOWN |
| 10 | 731-1073 | 1 | | Air Duct |
| 11 | 746-3021 | 1 | | Choke Control 29" Lg. |
| 14 | 16902 | 1 | | Hood Hinge |
| 15 | 725-0963 | 1 | S | Lamp |
| 16 | 725-1649 | 1 | S | Twist Lock - Lamp Socket |
| 17 | 777-8516 | 1 | | Reflector - Headlight |
| 19 | 17469 | 1 | S | 7-Speed Selector Plate |
| 20 | 710-0118 | 1 | S/F | Hex Bolt 5/16-18 x .75" Lg. |
| 21 | 731-1430 | 1 | S | Grille Code: N Notates a new part (not previously existing) |
| 22 | 17300D | 1 | | Dash Support Bracket |
| ?23 | 712-0237 | 1 | S | Hex L-Nut 5/16-24 Thd. |
| 24 | 712-0267 | 1 | S/F | Hex Nut 5/16-18 Thd. |
| 25 | 736-0176 | 1 | S | FI-Wash. 1/4" I.D. x .93" O.D. |
| 26 | 710-0603 | 1 | /P | Hex Wash. Hd. B-Tap Scr. 5/16-18 x .5" Lg. |
| 27 | 710-0429 | 1 | S | Hex B-Tap Scr. #10 x .38" Lg. |
| 30 | 705-0167 | 1 | | Grille Mount Brk't. - L.H. |
| 31 | 705-0166 | 1 | | Grille Mount Brkt. - R.H. |
| 32 | 710-0726 | 1 | /P | Hex Wash. Hd. AB-Tap Ser, 5/16 x .75" Lg. |
| ?33 | 736-0242 | 1 | /P | Bell-Wash. .345" I.D. x .88" |
| 36 | 712-0287 | 1 | S/F | Hex Nut 1/4-20 Thd. |
| 37 | 736-0270 | 1 | /P | Bell-Wash. .265" I.D. x .75" |
| 43 | 17324B | 1 | | Rear Fender Code: N Notates a new part (not previously existing) |
| 44 | 750-0755 | 1 | | Spacer .33" I.D. x .625" O.D. |
| 45 | 710-0167 | 1 | /P/F | Carriage Bolt 1/4-20 x .50" Lg. |
| 46 | 736-0278 | 1 | | FI-Wash. .328" I.D. x .68" O.D. |
| 47 | | 1 | | UNKNOWN |
| 52 | 750-0754 | 1 | | Shld. Spacer .33" I.D. |
| 53 | 736-0142 | 1 | S | FI-Wash. .281" I.D. x .5" O.D. |
| 54 | 712-0158 | 1 | S | Hex Cent. L-Nut 5/16-18 Thd. |
| 55 | 731-1432 | 1 | | Side Cover - R.H. Code: N Notates a new part (not previously existing) |
| | 731-1431 | 1 | | Side Cover - L.H. Code: N Notates a new part (not previously existing) |
| 56 | 710-1034 | 1 | | Double Ended Stud 1/4-20 Thd. |
| 59 | 831-0823A | 1 | /P | Throttle Control Box Ass'y. |
| 60 | 746-0501 | 1 | /P | Throttle Control Wire 18.5" Lg. |
| 61 | 710-0258 | 1 | S/F | Hex Bolt 1/4-20 x .62" Lg. |
| 62 | 736-0173 | 1 | /P | FI-Wash. .281" I.D. x .73" O.D. |

133K676F190 LT-12 (1993)
Hood And Rear Fender Assembly

Page 9 of 27

| Ref # | Part Number | Qty | S/P/F | Description |
|-------|-------------|-----|-------|---|
| 63 | 725-1341B | 1 | /P | Ignition Key |
| 64 | 725-0267 | 1 | S | Ignition Switch |
| 65 | 731-0961A | 1 | /P | Dash Panel |
| 66 | 725-0634 | 1 | S | Light Switch |
| 67 | 725-0925 | 1 | S | Ammeter |
| 68 | 731-1038 | 1 | S | Lens |
| 69 | 725-1347 | 1 | /P | Ignition Switch Cap |
| 71 | 730-3000 | 1 | S | Reflector |
| 73 | 725-1346 | 1 | S | Ignition Switch Nut |
| 74 | 710-0779A | 1 | /P | Truss Mach. AB-Tap Scr. #10 x .5" Lg. |
| 77 | 710-0642 | 1 | /P | Hex Wash. Hd. Tap Scr. 1/4 x .75" Lg. |
| 80 | 712-0291 | 1 | S | Hex L-Nut 1/4-20 Thd. |
| 84 | 683-0042 | 1 | S | Muffler Heat Shield - L.H. Code: N Notates a new part (not previously existing) |
| 85 | 16936 | 1 | | Muffler Heat Shield - R.H. |
| 86 | 710-0323 | 1 | /P | Pan Hd. Mach. Scr. 5/16-18 x .75" Lg. |
| 87 | 710-0294 | 1 | | Hex Bolt 1/4-20 x 3/8" Lg. |
| 88 | 736-0175 | 1 | S | Spr. Wash. .265" I.D. |
| 89 | 725-0980 | 1 | | Ground Wire |
| 90 | 738-0636 | 1 | S | Shld. Bolt 7/16" Dia. x 3-5/8" Lg. |
| 91 | 736-0329 | 1 | S/F | L-Wash. 1/4" I.D. |
| 92 | 721-0208 | 1 | S | Gasket |
| 93 | 751-0465 | 1 | S | Muffler |
| 94 | 712-0147 | 1 | /P | Speed Nut #10-24 Thd. |
| 103 | 17633A | 1 | S | Gasoline Tank Support |
| 104 | | 1 | | UNKNOWN |
| 105 | 710-0599 | 1 | /P | Hex Tap Scr. 1/4-20 x .5" Lg. |
| 111 | 712-0185 | 1 | | Speed Nut 1/4-20 Thd. |
| 113 | 710-0176 | 1 | /P | Hex Bolt 5/16-18 x 2.75" |
| | 777-6549 | 1 | | Plastic Logo on Hood Side Labels |
| | 777-0186 | 1 | | Plastic Logo - Grille |
| | 777-8214 | 1 | | White Label - Fender |
| | 777-4777 | 1 | | Reflective Label - Seat Back |
| | 777-8209A | 1 | | LT-12 Side Panel Labels |

No
Diagram
Available

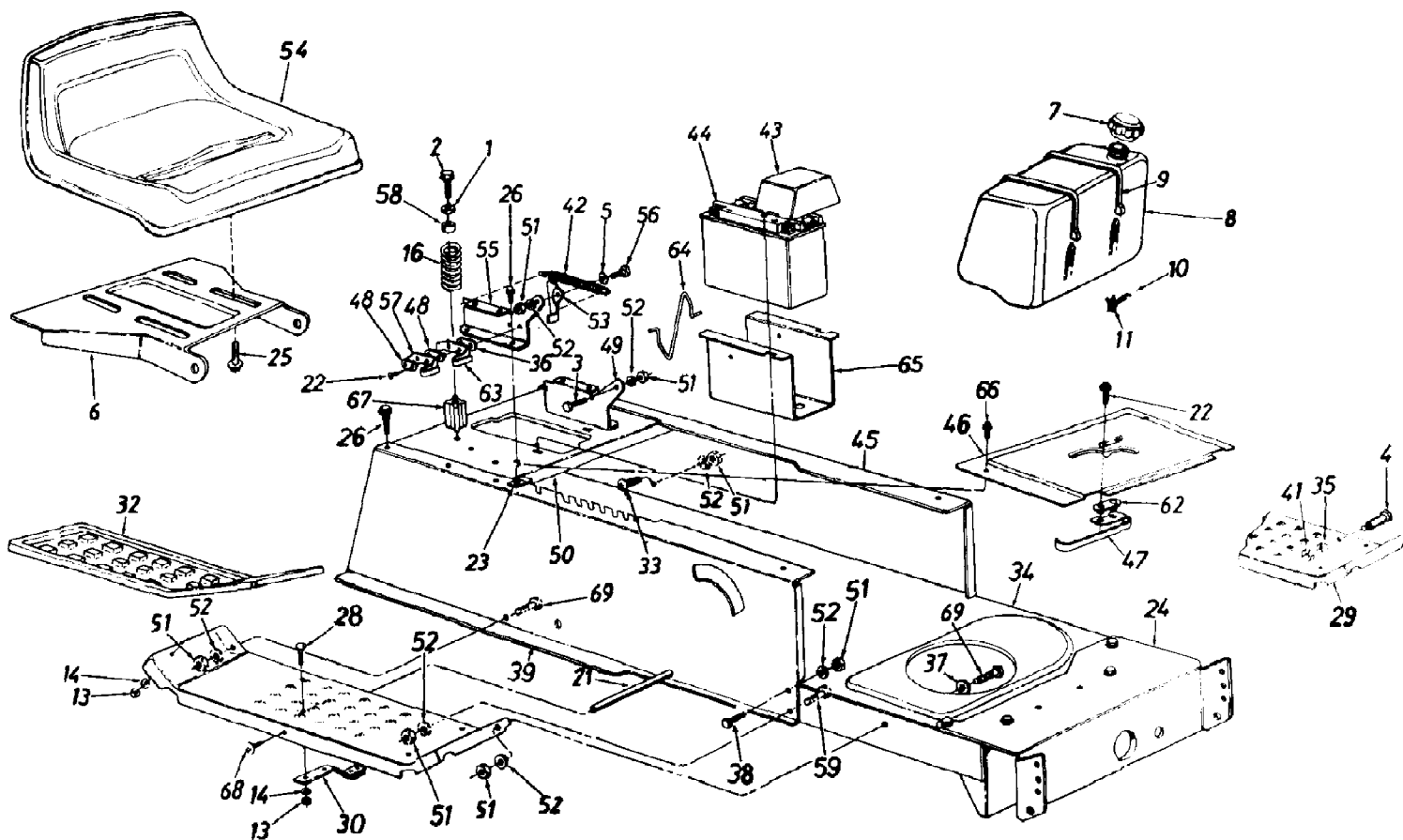
Parts List
Only

133K676F190 LT-12 (1993)
Optional Equipment

Page 11 of 27

| Ref # | Part Number | Qty | S/P/F | Description |
|-------|-------------|-----|-------|---|
| | 190-491-000 | 1 | | 36" Single Stage Snow Thrower |
| | 190-485-000 | 1 | S | 42" Dozer Blade |
| | 190-096-000 | 1 | | Mulching Kit for 38" Deck |
| | 190-097-000 | 1 | | Mulching Kit for 42" Deck |
| | 190-063-000 | 1 | S | Twin Bag Grass Collector for 38" and 42" Side Discharge Decks |
| | 190-745-000 | 1 | | Front Counterweight |
| | 190-685-000 | 1 | | Tire Chains - 20 x 8 |
| | 190-215-000 | 1 | S | 31 Lb. Wheel Weights |
| | 45-0195 | 1 | F | Gang Reel (Set of three) |
| | 45-0222 | 1 | F | 38" Lawn Sweeper |
| | 45-0179 | 1 | F | Heavy Duty Lawn Roller |
| | 45-0171 | 1 | F | Heavy Duty Dump Cart |
| | 45-0186 | 1 | F | Tine De-Thatcher |

133K676F190 LT-12 (1993)
Seat And Lower Frame Assembly



133K676F190 LT-12 (1993)
Seat And Lower Frame Assembly

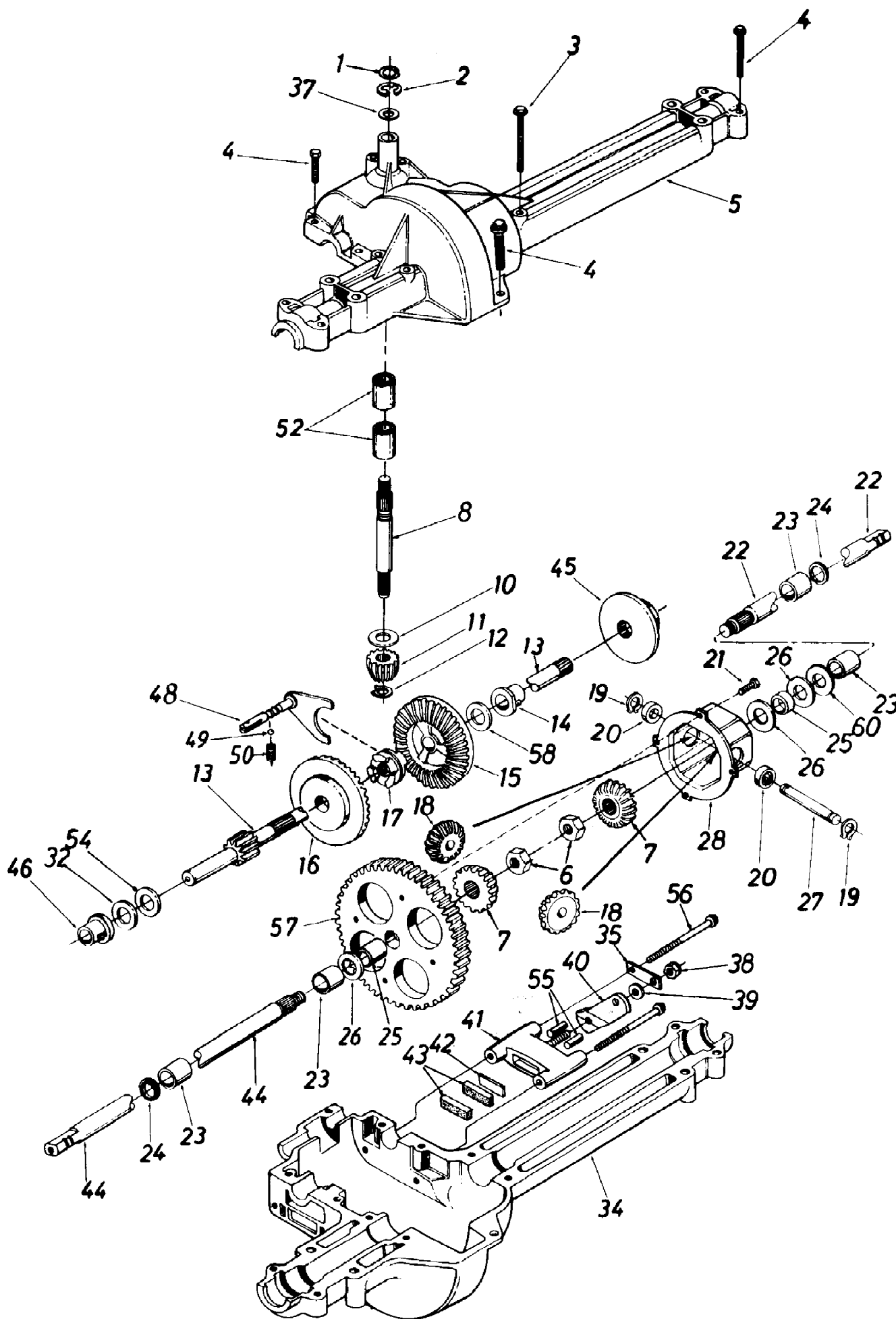
Page 13 of 27

| Ref # | Part Number | Qty | S/P/F | Description |
|-------|-------------|-----|-------|--|
| 1 | 736-0159 | 1 | S | FI-Wash. .344" I.D. x .875" |
| 2 | 710-1208 | 1 | /P | Hex Wash. Hd. Tap Scr. 5/16-18 x 3.25" Lg. Code: N Notates a new part (not previously existing) |
| 3 | 738-0155 | 1 | S | Shld. Bolt .437" Dia. x .162" |
| 4 | 738-0145 | 1 | S | Shld. Bolt .50" Dia. x .84" |
| 5 | 736-0141 | 1 | S | Spr.-Wash. .445" I.D. x .75 |
| 6 | 783-0039 | 1 | S | Seat Pivot Bracket Code: N Notates a new part (not previously existing) |
| 7 | 751-3071 | 1 | S | Fuel Cap |
| 8 | 751-0553 | 1 | S | Fuel Tank |
| 9 | 726-0209 | 1 | /P | Tie Strap |
| 10 | 751-0535-15 | 1 | S | Fuel Line |
| 11 | 726-0205 | 1 | /P | Hose Clamp |
| 13 | 712-0287 | 1 | S/F | Hex Nut 1/4-20 Thd. |
| 14 | 736-0329 | 1 | S | L-Wash. 1/4" I.D. |
| 16 | 732-0672 | 1 | S | Compression Spring |
| 21 | 738-0526 | 1 | | Running Board Rod |
| 22 | 710-0227 | 1 | /P | Hex Wash. Hd. AB-Tap Scr. #8 x .50" Lg. |
| 23 | 726-0139 | 1 | /P | Speed Nut #10Z |
| 24 | 17621 | 1 | S | Front Pivot Brkt. |
| 25 | 710-0623 | 1 | /P | Hex Tap Scr. 3/8-16 x .75" |
| 26 | 710-0726 | 1 | /P | Hex Wash. Hd. AB-Tap Scr. 5/16 x .75" Lg. |
| 28 | 710-0134 | 1 | /P/F | Carriage Bolt 1/4-20 x .62" |
| 29 | 17770 | 1 | S | Running Board (R.H. & L.H.) |
| 30 | 761-0168A | 1 | S | Blade Brake Ass'y. |
| 32 | 731-0911 | 1 | | Rubber Foot Pad - L.H. |
| | 731-0912 | 1 | | Rubber Foot Pad - R.H. |
| 33 | 710-0323 | 1 | /P/F | Truss Mach. Scr. 5/16-18 x .75" Lg. |
| 34 | 17619B | 1 | S | Lower Frame Code: N Notates a new part (not previously existing) |
| 35 | 736-0169 | 1 | S | L-Wash. 3/8" I.D. |
| 36 | 726-0278 | 1 | | Insulator Boss Plate |
| 37 | 736-0264 | 1 | S | FI-Wash. .25" I.D. x .625" O.D. |
| 38 | 710-0118 | 1 | S/F | Hex Bolt 5/16-18 x .75" Lg. |
| 39 | 17622C | 1 | S | Upper Frame - R.H. Code: N Notates a new part (not previously existing) |
| 41 | 712-0798 | 1 | /P/F | Hex Nut 3/8-16 Thd. |
| 42 | 732-0581B | 1 | S | Extension Spring 5.31" Lg. |
| 43 | 731-1200 | 1 | | Battery Cover |
| 44 | 725-1633 | 1 | S | 12-V Battery |
| 45 | 17623 | 1 | S | Upper Frame - L.H. |
| 46 | 17286A | 1 | S | Shift Cover |
| 47 | 725-1643 | 1 | | Reverse Safety Switch |
| 48 | 726-0279 | 1 | | Insulator Plate |
| 49 | 17951 | 1 | S | Seat Pivot Brkt. Support - L.H. |
| 50 | 17953 | 1 | | Hitch Plate |
| 51 | 712-0267 | 1 | S/F | Hex Nut 5/16-18 Thd. |
| 52 | 736-0119 | 1 | S/F | L-Wash. 5/16" I.D. |
| 53 | 17239A | 1 | S | Seat Lift Brkt. |
| 54 | 757-0338 | 1 | S | Seat Lift Brkt. |

133K676F190 LT-12 (1993)
Seat And Lower Frame Assembly

Page 14 of 27

| Ref # | Part Number | Qty | S/P/F | Description |
|-------|-------------|-----|-------|--|
| 55 | 17950 | 1 | S | Seat Pivot Brkt. Support - R.H. |
| 56 | 738-0296 | 1 | S | Shld. Bolt .437" Dia. x .268" |
| 57 | 725-1303 | 1 | S | Spring Switch |
| 58 | 722-0160 | 1 | | Bushing |
| 59 | 710-0650 | 1 | /P | Hex Wash. TT-Tap Scr. 5/16-18 x 7/8" Lg. |
| 62 | 726-0320 | 1 | S | Insulator Nut Plate |
| 63 | 725-1439 | 1 | | Safety Switch (Seat) |
| 64 | 732-0674 | 1 | | Battery Tray Clip |
| 65 | 17952 | 1 | S | Battery Tray |
| 66 | 710-0351 | 1 | /P | Truss Mach. B-Tap Scr. #10 x .5" Lg. |
| 67 | 748-0347 | 1 | S | Spring Spacer |
| 68 | 710-1221 | 1 | | Pan Hd. Cutting Scr. 5/16-18 x .75" Lg. |
| 69 | 710-0118 | 1 | S/F | Hex Bolt 5/16-18 x .75" Lg. |



133K676F190 LT-12 (1993)
Single Speed Transaxle - Right Hand

Page 16 of 27

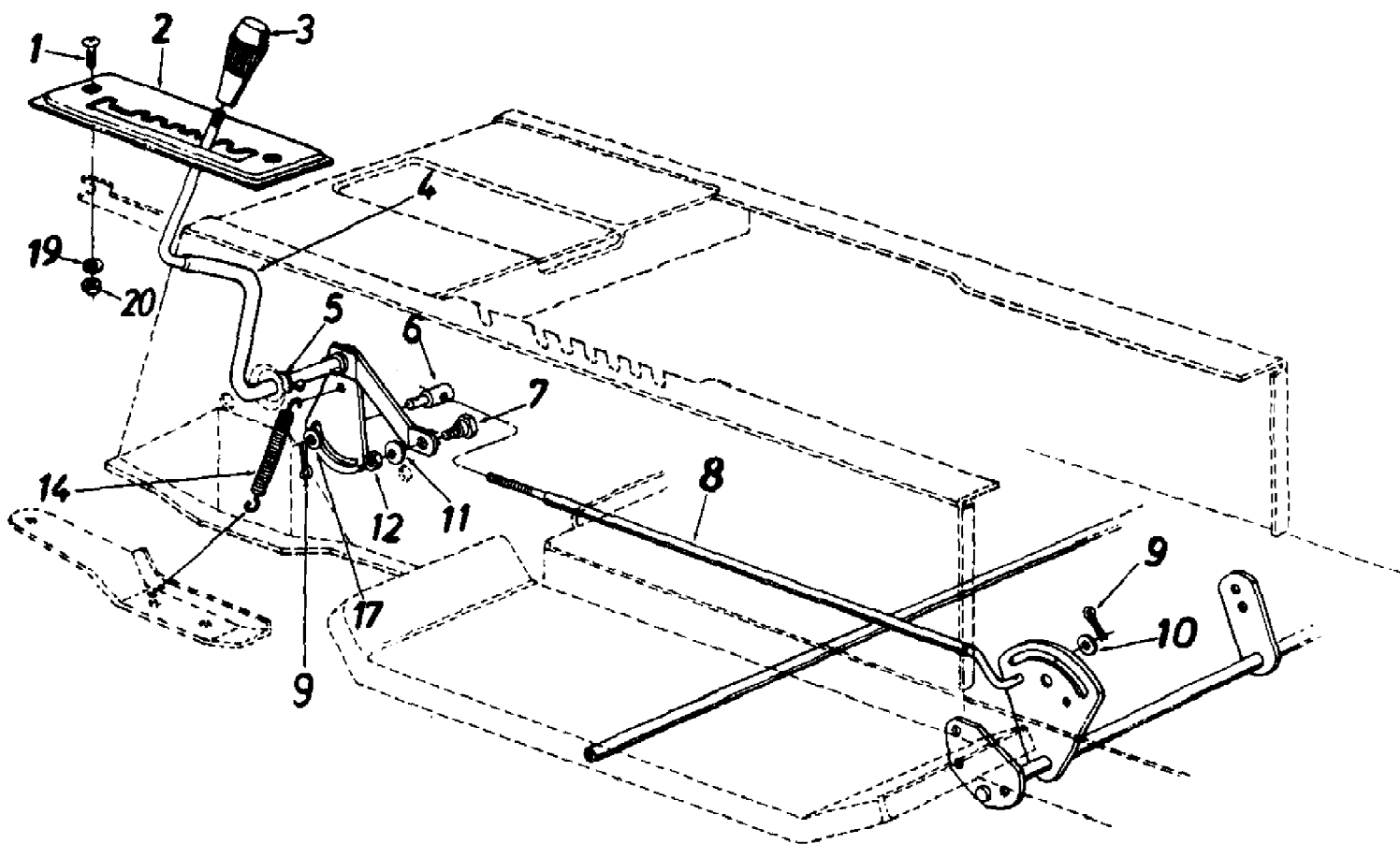
| Ref # | Part Number | Qty | S/P/F | Description |
|-------|-------------|-----|-------|---|
| | 618-0073 | 1 | S | Single Speed Transaxle - Right Hand |
| 1 | 732-0614 | 1 | | Wire Ring |
| 2 | 716-0231 | 1 | S | "E" - Ring |
| 3 | 710-1026 | 1 | /P/F | Hex Wash. TT-Tap Scr. 1/4-20 x 1.75" Lg. |
| 4 | 710-0809 | 1 | | Hex Tap Scr. 1/4-20 x 1.25" Lg. |
| 5 | 719-0314 | 1 | S | Upper Housing |
| 6 | 712-0200A | 1 | /P | Hex Jam Nut 1/2-20 Thd. |
| 7 | 717-1019 | 1 | S | Miter Gear |
| 8 | 711-0861 | 1 | | Input Shaft |
| 10 | 736-0335 | 1 | S | Thrust Washer 5/8" I.D. x 1.25" O.D. |
| 11 | 717-0633 | 1 | S | Pinion Input 14T |
| 12 | 716-0171 | 1 | S | Retaining Ring |
| 13 | 711-0943 | 1 | S | Drive Shaft - R.H. Brake |
| 14 | 741-0336 | 1 | S/F | Flange Brg. 5/8" I.D. x 3/4" Lg. |
| 15 | 717-1362 | 1 | S | Bevel Gear 42T Small I.D. |
| 16 | 717-1363 | 1 | S | Bevel Gear 42T Large I.D. |
| 17 | 718-0228 | 1 | | Clutch Collar |
| 18 | 717-1020 | 1 | /P | Miter Gear 15T (H.D.) |
| 19 | 716-0184 | 1 | S | Snap Ring |
| 20 | 741-0589 | 1 | S | Thrust Bearing |
| 21 | 710-0862A | 1 | /P | Pan Head Scr. 1/4-20 x .50" Lg. w/Patch |
| 22 | 717-0537 | 1 | | Axle R.H. |
| 23 | 741-0340 | 1 | S | Sleeve Bearing 3/4" I.D. x 1.0" Lg. |
| 24 | 721-0179 | 1 | S | Oil Seal 3/4" I.D. |
| 25 | 750-0767 | 1 | | Axle Spacer |
| 26 | 736-0445 | 1 | S | FI-Wash. .760" I.D. x 1.5" O.D. |
| 27 | 711-0918 | 1 | /P | Cross Shaft |
| 28 | 717-1252 | 1 | S | Differential Can Ass'y. |
| 32 | | 1 | | Washer |
| | 736-0495 | 1 | S | Thrust Wash. 5/8" I.D. x 1" O.D. x .025" Thk. |
| | 736-0336 | 1 | S | FI-Wash. 5/8" I.D. x 1" O.D. x .030" Thk. |
| | 736-0494 | 1 | | Thrust Wash. 5/8" I.D. x 1" O.D. x .035" Thk. |
| | 736-0337 | 1 | S | FI-Wash. 5/8" I.D. x 1" O.D. x .040" Thk. |
| 34 | 719-0313 | 1 | S | Lower Housing |
| 35 | 718-0150 | 1 | | Anti-Rotation Brkt. |
| 37 | | 1 | | Washer |
| | 736-0349 | 1 | S | FI-Wash. 5/8" I.D. x 1" O.D. x .020" Thk. |
| | 736-0336 | 1 | S | FI-Wash. 5/8" I.D. x 1" O.D. x .030" Thk. |
| | 736-0337 | 1 | S | FI-Wash. 5/8" I.D. x 1" O.D. x .040" Thk. |
| 38 | 712-0273 | 1 | S | Hex Nut 5/16-24 Thd. |
| 39 | 736-0371 | 1 | /P | FI-Wash .344" I.D. x .875" O.D |
| 40 | 717-0700 | 1 | /P | Actuating Arm |
| 41 | 761-0198 | 1 | S | Brake Yoke |
| 42 | 717-0682 | 1 | S | Puck Plate |
| 43 | 717-0678 | 1 | S | Brake Puck |
| 44 | 717-0536 | 1 | | Axle L.H. |
| 45 | 761-0202 | 1 | | Brake Disc |
| 46 | 741-0337 | 1 | S | Flange Bearing 5/8" I.D. x 15/16" Lg. |
| 48 | 611-0011 | 1 | S | Shift Fork Ass'y. |
| 49 | 741-0862 | 1 | /P | Ball Detent .250" Dia. |
| 50 | 732-0863 | 1 | S | Spring Detent |
| 52 | 741-0335 | 1 | S | Needle Brg. 5/8" 1.0. x 1/2" Lg. |
| 54 | 736-0349 | 1 | S | FI-Wash. 5/8" I.D. x 1" O.D. x .020 Thk. |

133K676F190 LT-12 (1993)
Single Speed Transaxle - Right Hand

Page 17 of 27

| Ref # | Part Number | Qty | S/P/F | Description |
|-------|-------------|-----|-------|---|
| 55 | 741-0343 | 1 | S | Actuating Pin 5/16" Dia. |
| 56 | 710-1206 | 1 | /P | Hex Wash Hd. Self-Tap Scr. 1/4-20 Thd. |
| 57 | 717-1364 | 1 | S | Differential Gear 58T |
| 58 | 736-0349 | 1 | S | FI-Wash. 5/8" I.D. x 1" O.D. x .020 Thk. |
| | 736-0495 | 1 | S | Thrust Wash. 5/8" I.D. x 1" O.D. x .025" Thk. |
| 60 | | 1 | | Washer |
| | 736-0492 | 1 | S | FI-Wash. .76" I.D. x 1.5" O.D. x .010" Thk. |
| | 736-0493 | 1 | S | FI-Wash. .76" I.D. x 1.5" O.D. x .020" Thk. |
| | 736-0351 | 1 | S | FI-Wash. .76" I.D. x 1.5" O.D. x .030" Thk. |
| | 736-0445 | 1 | S | FI-Wash. .76" I.D. x 1.5" O.D. x .060" Thk. |
| | 737-0148 | 1 | S | Grease - Shell (15 oz.) |

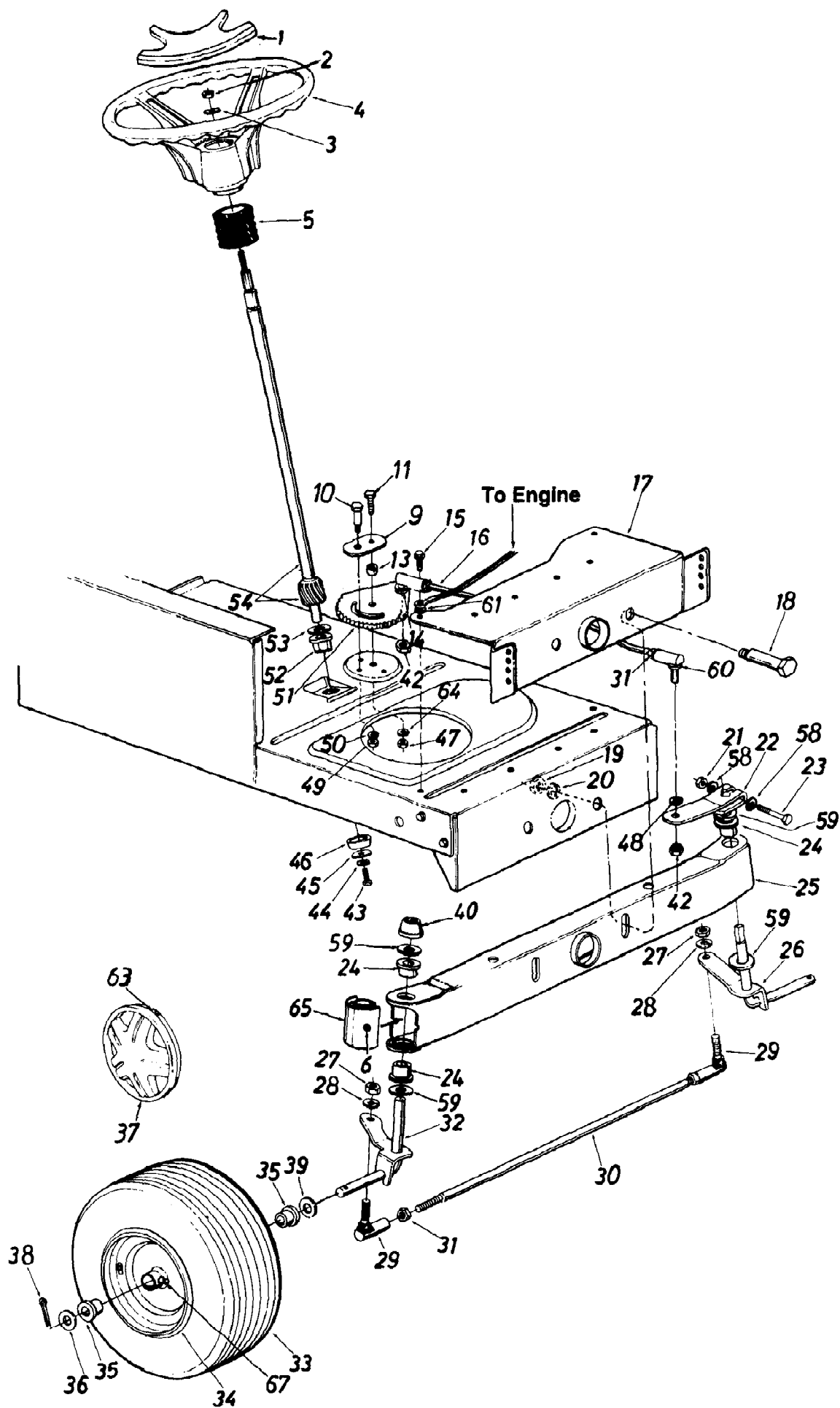
133K676F190 LT-12 (1993)
Speed Selector Lever Assembly



133K676F190 LT-12 (1993)
Speed Selector Lever Assembly

Page 19 of 27

| Ref # | Part Number | Qty | S/P/F | Description |
|-------|-------------|-----|-------|------------------------------------|
| 1 | 710-0924 | 1 | /P | Truss Mach. Scr. 1/4-20 x .75" Lg. |
| 2 | 17469 | 1 | S | 7-Speed Selector Plate |
| 3 | 720-0218 | 1 | /P | Shift Knob |
| 4 | 16192A | 1 | /P | Speed Selector Lever Ass'y. |
| 5 | 736-0192 | 1 | S | Flat Washer .53" I.D. x .93" |
| 6 | 711-0198 | 1 | S | Ferrule 3/8-24 x .37" Dia. |
| 7 | 738-0155 | 1 | S | Shoulder Bolt |
| 8 | 747-0503A | 1 | | Speed Control Link |
| 9 | 714-0111 | 1 | S/F | Cotter Pin 3/32" Dia. x 1.0" |
| 10 | 736-0226 | 1 | S | FI-Wash. .469" I.D. x .88" |
| 11 | 736-0119 | 1 | S/F | L-Wash. 5/16" I.D. |
| 12 | 712-0267 | 1 | S/F | Hex Nut 5/16-18 Thd. |
| 14 | 732-0303 | 1 | S | Spring .38" O.D. x 3.18" Lg. |
| 17 | 736-0140 | 1 | S | FI-Wash. .385" I.D. x .62" |
| 19 | 736-0329 | 1 | S/F | L -Wash. 1/4" I.D. |
| 20 | 712-0287 | 1 | S/F | Hex Nut 1/4-20 Thd. |



133K676F190 LT-12 (1993)
Steering And Wheel Assembly

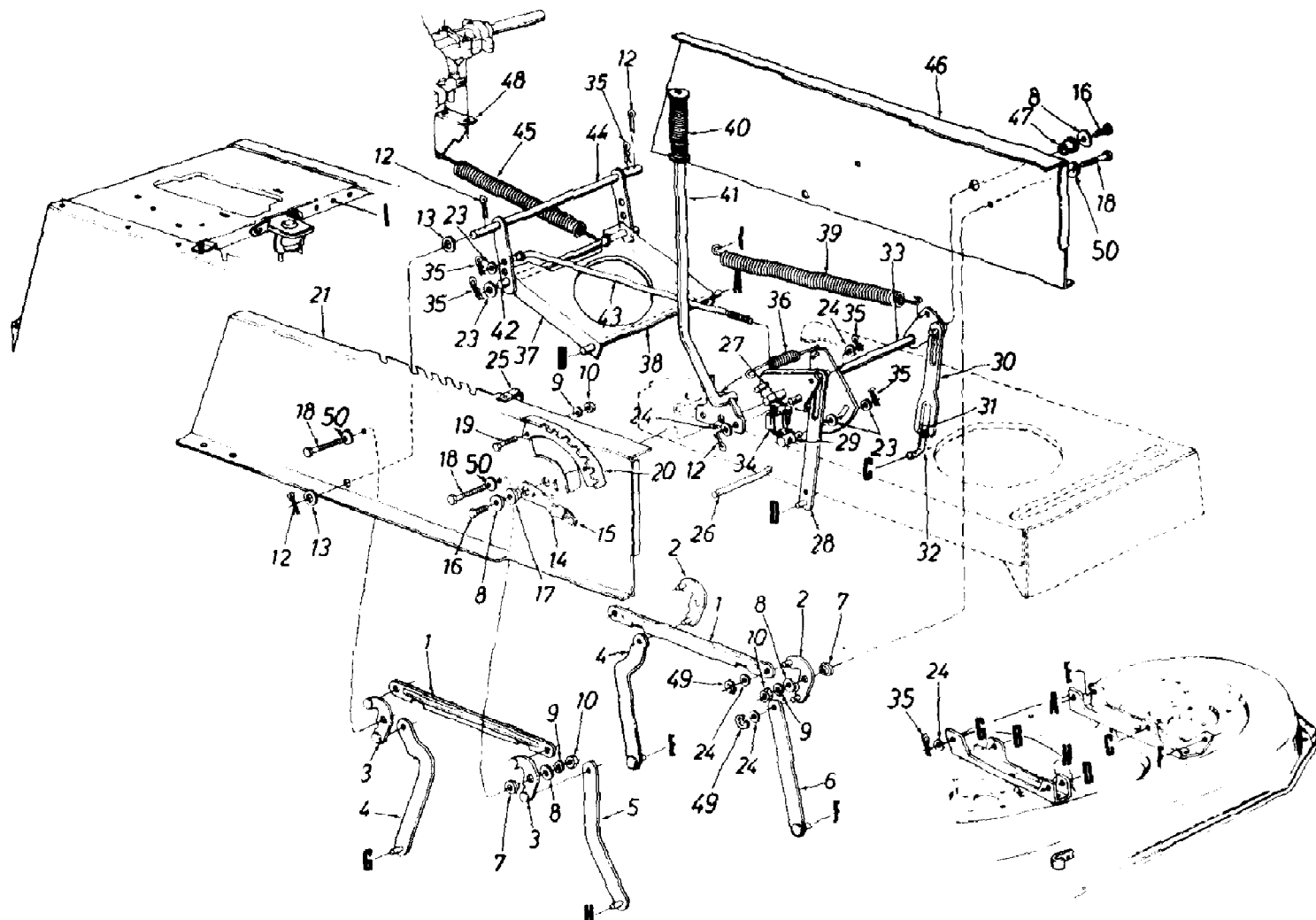
Page 21 of 27

| Ref # | Part Number | Qty | S/P/F | Description |
|-------|-------------|-----|-------|--|
| 1 | 731-1344 | 1 | | Steering Wheel Cap |
| 2 | 712-0411 | 1 | S | Hex L-Nut 5/16-24 Thd. |
| 3 | 736-0242 | 1 | /P | Belleville Wash. .345" I.D. |
| 4 | 631-0005 | 1 | S | Steering Wheel |
| 5 | 731-0954 | 1 | S | Steering Bellow - 9" |
| 6 | 737-0280 | 1 | S | Grease Fitting |
| 9 | 17198A | 1 | S | Retainer Plate |
| 10 | 738-0141 | 1 | S | Shoulder Bolt .437" Dia. x .35" Lg. - 5/16-18 Thd. |
| 11 | 710-0152 | 1 | S | Hex Bolt 3/8-24 x 1.0" Lg. (Grade 5) |
| 13 | 750-0535 | 1 | S | Spacer .380" I.D. x .625" O.D. x .227 |
| 14 | 736-0217 | 1 | S | L-Wash. 3/8" I.D. (H.D.) |
| 15 | 710-0726 | 1 | /P | Hex Wash. Hd. Self-Tap Scr. |
| 16 | 711-0788 | 1 | S | Steering Drag Link |
| 17 | 17621 | 1 | S | Front Pivot Brkt. |
| 18 | 738-0527 | 1 | S | Shoulder Bolt .498" Dia. x 2.04" Lg. - 3/8-16 Thd. |
| 19 | 712-0798 | 1 | /P/F | Hex Nut 3/8-16 Thd. |
| 20 | 736-0169 | 1 | S/F | L-Wash. 3/8" I.D. |
| 21 | 712-0411 | 1 | S | Hex L-Nut 5/16-24 Thd. |
| 22 | 16481A | 1 | S | Steering Arm Front Axle |
| 23 | 710-0772 | 1 | /P | Hex Bolt 5/16-24 x 2.00" Lg. (Grade 5) |
| 24 | 741-0487A | 1 | S | Hex Flg. Brg. .632 I.D. |
| 25 | 683-0002 | 1 | S | Pivot Bar Ass'y. |
| 26 | 17585 | 1 | /P | Front Axle Ass'y. - L.H. |
| 27 | 712-0241 | 1 | /P/F | Hex Nut 3/8-24 Thd. |
| 28 | 736-0169 | 1 | S/F | L-Wash. 3/8" I.D. |
| 29 | 723-3018 | 1 | S | Ball Joint 3/8-24 Thd. |
| 30 | 747-0753 | 1 | | Tie Rod |
| 31 | 712-0711 | 1 | /P/F | Hex Jam Nut 3/8-24 Thd. |
| 32 | 17584 | 1 | /P | Front Axle Ass'y. - R.H. |
| 33 | 634-0059 | 1 | | Wheel Ass'y. Comp. |
| | 734-0864 | 1 | /P | Tire Only |
| | 734-0255 | 1 | S | Air Valve |
| 34 | 634-0051A | 1 | S | Front Wheel Rim Only |
| 35 | 741-0569 | 1 | S | Bearing |
| 36 | 736-0285 | 1 | /P | FI-Wash. .635" I.D. x 1.59" O.D. |
| 37 | 734-1783 | 1 | | Front Wheel Hub Cap Code: N Notates a new part (not previously existing) |
| 38 | 714-0470 | 1 | S/F | Cotter Pin 1/8" Dia. x 1.25" |
| 39 | 736-0187 | 1 | /P | FI-Wash. .640" I.D. x 1.24" O.D. |
| 40 | 726-0214 | 1 | /P | Push Cap 5/8" Dia. Rod |
| 42 | 712-0446 | 1 | S | Hex Jam Nut 3/8-24 Thd. |
| 43 | 710-0538 | 1 | /P/F | Hex L-Bolt 5/16-18 x .62" |
| 44 | 736-0119 | 1 | S/F | L-Wash. 5/16" I.D. |
| 45 | 736-0343 | 1 | /P | FI-Wash. .33" I.D. x 1.25" O.D. |
| 46 | 750-0532 | 1 | S | Spacer (Plastic) |
| 47 | 712-0214 | 1 | S | Hex Cent. L-Nut 3/8-24 Thd. |
| 48 | 736-0169 | 1 | S/F | L-Wash. 3/8" I.D. |
| 49 | 712-0158 | 1 | S | Hex Cent. L-Nut 5/16-18 Thd. |
| 50 | 736-0119 | 1 | S/F | L-Wash. 5/16" I.D. |

133K676F190 LT-12 (1993)
Steering And Wheel Assembly

Page 22 of 27

| Ref # | Part Number | Qty | S/P/F | Description |
|-------|-------------|-----|-------|-----------------------------------|
| 51 | 717-0622A | 1 | S | Steering Gear Segment |
| 52 | 741-0225 | 1 | S | Hex . Fig. Brg. .634 I.D. |
| 53 | 736-0187 | 1 | /P | FI-Wash. (Hardened) |
| 54 | 738-0743 | 1 | /P | Steering Shaft |
| 58 | 736-0271 | 1 | S | Wave-Wash. .32" I.D. x .62" O.D. |
| 59 | 736-0187 | 1 | /P | FI-Wash. (Hardened) |
| 60 | 723-3018 | 1 | S | Drag Link Ball Joint 3/8-24 Thd. |
| 61 | 736-0607 | 1 | /P | Ext. L-Wash. 5/16" I.D. |
| 63 | 727-0425A | 1 | S | Spring Clip |
| 64 | 736-0356 | 1 | S | Bell-Wash. .39" I.D. x 1.38" O.D. |
| 65 | 731-1291 | 1 | S | Pivot Bar End Cap |
| 67 | 737-0280 | 1 | S | Grease Fitting |



133K676F190 LT-12 (1993)
Upper Frame Assembly

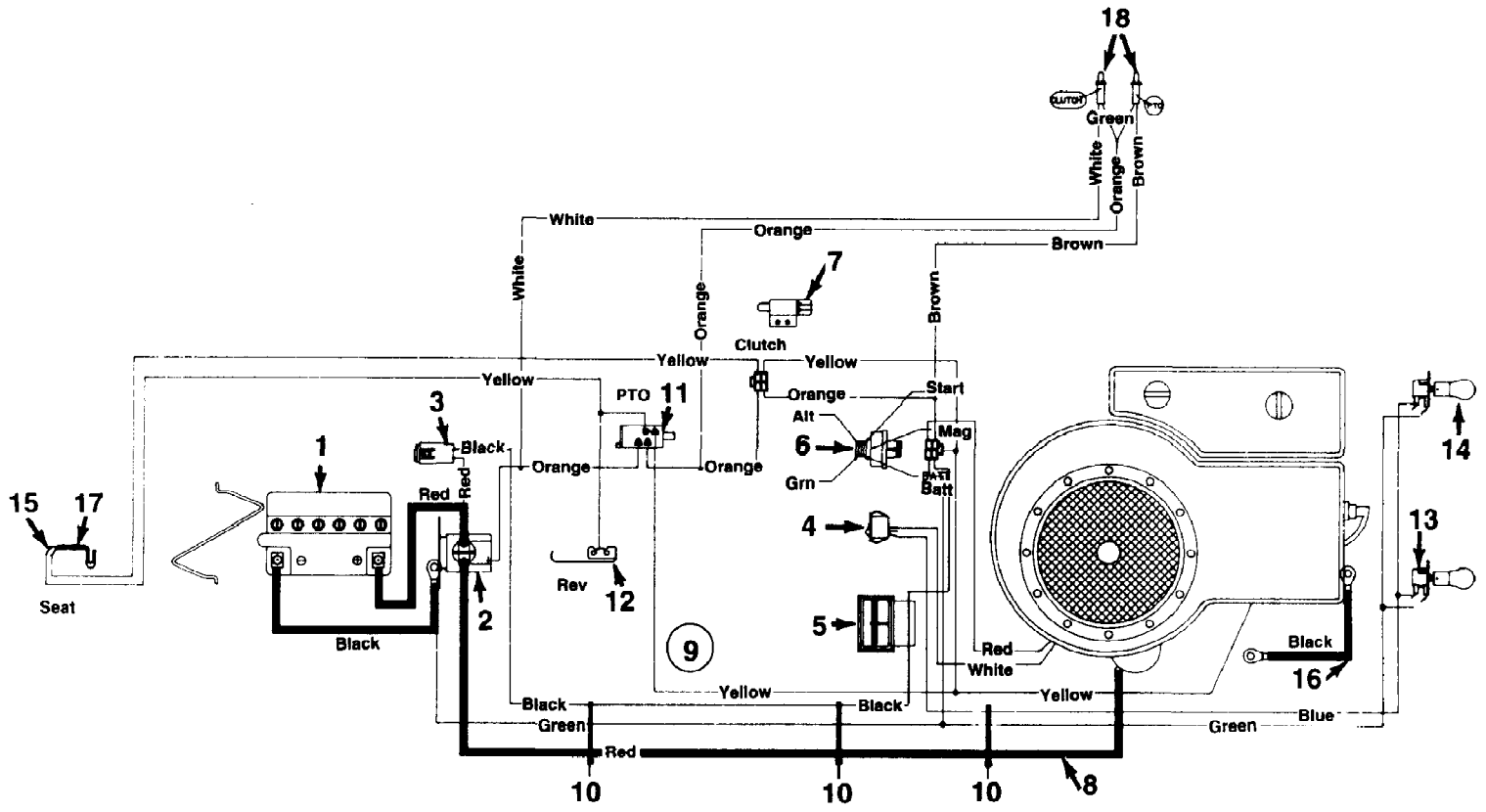
Page 24 of 27

| Ref # | Part Number | Qty | S/P/F | Description |
|-------|-------------------|--------|-------|--|
| 1 | 783-0103 | 1 | S | Connecting Rod |
| 2 | 683-0029 | 1 | S | Pivot Link Ass'y. - L.H. (Uses "E"-Ring). Code: N Notates a new part (not previously existing) |
| 3 | 17640 683-0028 | 1 1 | S | Pivot Link Ass'y. - L.H. (Uses Cotter Pin) Pivot Link Ass'y. - R.H. (Uses "E"-Reg). Code: N Notates a new part (not previously existing) |
| 4 | 17641 17710 | 1 1 | S | Pivot Link Ass'y. - R.H. (Uses Cotter Pin) Deck Hanger Link Ass'y. |
| 5 | 14800A | 1 | S | Deck Hanger Link Ass'y. |
| 6 | 14804A | 1 | | Deck Hanger Link Ass'y. |
| 7 | 748-0331 | 1 | S | Shld. Spacer .318" I.D. |
| 8 | 736-0264 | 1 | S | FI-Wash. .344" I.D. x .62" O.D. |
| 9 | 736-0119 | 1 | S/F | L-Wash. 5/16" I.D. |
| 10 | 712-0267 | 1 | S/F | Hex Nut 5/16-18 Thd. |
| 12 | 714-0470 | 1 | S | Cotter Pin 1/8" Dia. |
| 13 | 736-0256 | 1 | S | FI-Wash. .635" I.D. x 1.0" O.D. |
| 14 | 683-0003 | 1 | S | Height Adj. Stop Lever Ass'y. (Incl. Ref. 15). Code: N Notates a new part (not previously existing) |
| 15 | 08540 | 1 | /P | Knob |
| 16 | 710-0604 | 1 | S | Hex Wash. TT-Tap Scr. 5/16-18 x .75" Lg. |
| 17 | 748-0176 | 1 | | Flange Brg. .63" I.D. |
| 18 | 710-1238 | 1 | /P | Hex Wash. Hd. Scr. 5/16-18 x .875" Lg. |
| 19 | 710-0118 | 1 | S | Hex Bolt 5/16-18 x .75" Lg. |
| 20 | 17730 | 1 | S | Index Brkt. |
| 21 | 17622C | 1 | S | Upper Frame - R.H. Code: N Notates a new part (not previously existing) |
| 23 | 736-0267 | 1 | S | FI-Wash. .385" I.D. x .87" O.D. |
| 24 | 736-0160 | 1 | S | FI-Wash. .531" I.D. x .93" O.D. |
| 25 | 726-0272 | 1 | /P | Clamp |
| 26 | 738-0526 | 1 | | Running Board Rod |
| 27 | 710-3007 | 1 | /P | Hex Wash. Hd. Tap Scr. |
| 28 | 14802A | 1 | S | Link Deck Lift Ass'y. |
| 29 | 711-0723A | 1 | S | Adj. Ferrule 3/8-24 Thd. |
| 30 | 17712 | 1 | S | Adj. Deck Lift Link |
| 31 | 712-3066 | 1 | S | Hex Nut 1/2-20 Thd. (Gr. 5) |
| 32 | 711-0841 | 1 | S | Lift Link Adjuster |
| 33 | 17637A | 1 | | Lift Shaft Ass'y. |
| 34 | 725-0803C | 1 | S | Safety Switch (Deck) |
| 35 | 714-0145 | 1 | S | Inter. Cotter Pin 3/8" Dia. |
| 36 | 732-0637 | 1 | S | Extension Spring |
| 37 | 17636B | 1 | S | Stabilizer Bracket |
| 38 | 738-0670 | 1 | S | Shaft 1/2" Dia. x 10.28" Lg. |
| 39 | 732-0638 | 1 | | Extension Spring |
| 40 | 720-0233 | 1 | S | Grip (Lift Handle) |
| 41 | 17675 | 1 | S | Deck Lift Handle Ass'y. |
| 42 | 738-0669 | 1 | | Shaft 3/8" Dia. x 9.34" Lg. |
| 43 | 747-0598 | 1 | | Disengagement Rod |
| 44 | 17624 | 1 | | Disengagement Rod Ass'y. |

133K676F190 LT-12 (1993)
Upper Frame Assembly

Page 25 of 27

| Ref # | Part Number | Qty | S/P/F | Description |
|-------|-------------|-----|-------|----------------------------|
| 45 | 732-0556 | 1 | S | Extension Spring 7.58" Lg. |
| 46 | 17623 | 1 | S | Upper Frame - L.H. |
| 47 | 741-0313 | 1 | S | Flange Brg. .632" I.D. |
| 48 | 17128 | 1 | S | Spring Retainer Brkt. |
| 49 | 716-0104 | 1 | S | "E"-Ring |
| | 714-0470 | 1 | S | Cotter Pin 1/8" Dia. |
| 50 | 736-0425 | 1 | S | Bell-Wash. .325" I.D. |



133K676F190 LT-12 (1993)
Wiring Schematic

Page 27 of 27

| Ref # | Part Number | Qty | S/P/F | Description |
|-------|-------------|-----|-------|-------------------------|
| 1 | 725-1633 | 1 | S | Battery |
| 2 | 725-1426 | 1 | S | Solenoid |
| 3 | 725-1625 | 1 | | Fuse 7.5 Amps |
| 4 | 725-0634 | 1 | S | Light Switch |
| 5 | 725-0925 | 1 | S | Ammeter |
| 6 | 725-0267 | 1 | S | Ignition Switch |
| 7 | 725-3169A | 1 | S | Safety Switch |
| 8 | 725-1081 | 1 | S | Electric Wire 30" Lg. |
| 9 | 629-0069 | 1 | | Wire Harness |
| 10 | 726-0197 | 1 | | Cable Tie |
| 11 | 725-0803C | 1 | S | Safety Switch (Deck) |
| 12 | 725-1643 | 1 | | Safety Switch (Reverse) |
| 13 | 725-1649 | 1 | S | Socket |
| 14 | 725-0963 | 1 | S | Bulb (Headlight) |
| 15 | 725-1303 | 1 | S | Safety Switch (Seat) |
| 16 | 725-0980 | 1 | | Ground Wire 7.5" Lg. |
| 17 | 725-1439 | 1 | | Safety Switch (Seat) |
| 18 | 725-1365 | 1 | S | Bulb |